



- Plastic mouldings
- Moulds construction
- Vacuum cylinders
- Reels



P.Parma S.r.l. has been operating for few years, with increasing success, in the Italian market.

We produce moulds and mouldings in all types of plastic material. During last four years, we have specialized in the production of vacuum cylinder for vacuum packaging machines with chamber.

We have already produced more than 60,000 pieces of vacuum cylinder for our Italian customers, becoming quickly national leader into this small and particular market segment.

**High quality and best prices: these are our strengths!**

To request any information and prices, please contact us to the following email address: [amministrazione@parmastampi.it](mailto:amministrazione@parmastampi.it)  
(If you are interested we are available for sending free samples).

**P.Parma S.r.l.**

Viale dell'Artigianato 11

24049 - Verdello (Bg) ITALY

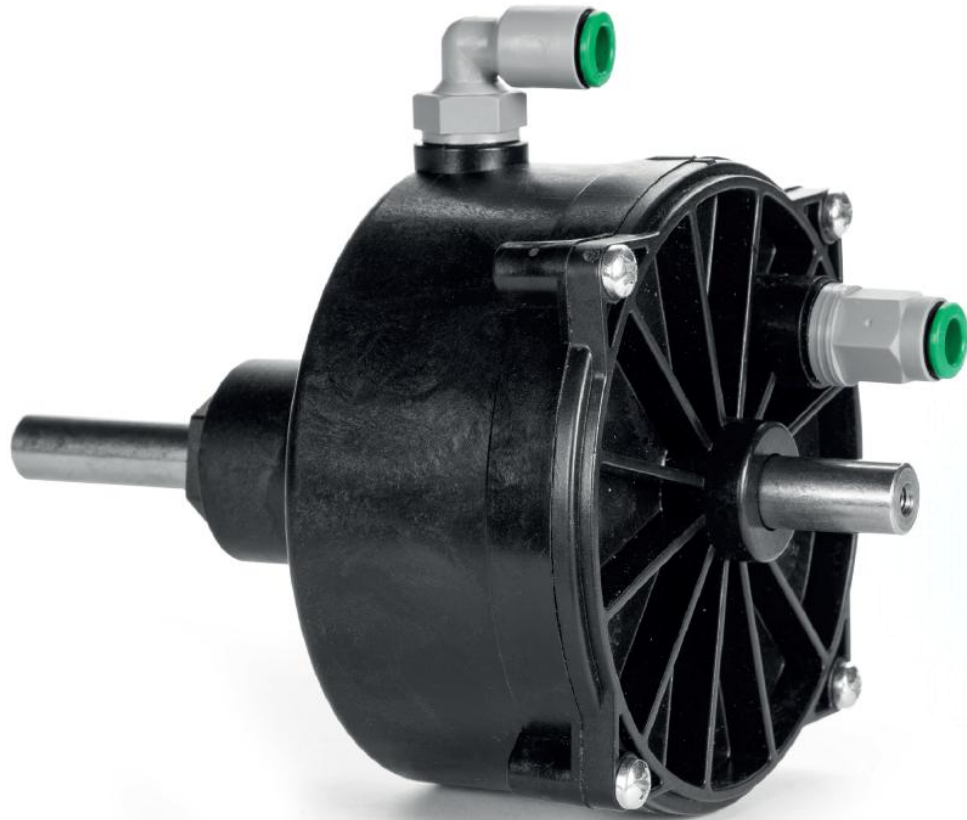
C.f./P.Iva IT 03829440167

Tel. (+39) 035 4829822

Fax (+39) 035 4818238

[amministrazione@parmastampi.it](mailto:amministrazione@parmastampi.it)

## Vacuum cylinders for vacuum packaging machines



### **TECHNICAL CHARACTERISTICS:**

*This part is mounted on a vacuum chamber machine; its function is to raise and lower the seal bar by utilising the vacuum created by the machine.*

### **MATERIAL CHARACTERISTICS:**

*The cylinder consists of an outer body and nut made of acetal resin fiberglass 30%; the internal parts are made of IXEF, the seals and diaphragms of NBR and the rod of stainless steel. Tightness checks are performed on each individual part.*



## P.Parma S.r.l.

Viale dell'Artigianato 11

24049 - Verdello (Bg) ITALY

C.f./P.Iva IT 03829440167

Tel. (+39) 035 4829822

Fax (+39) 035 4818238

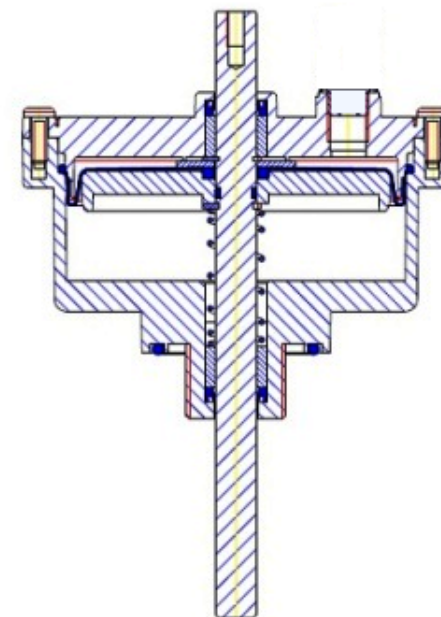
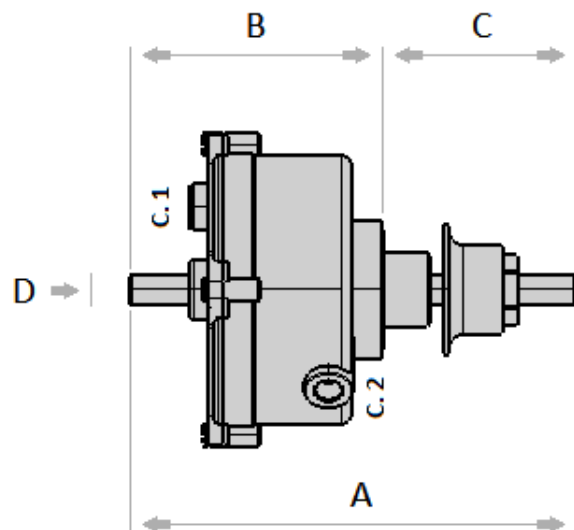
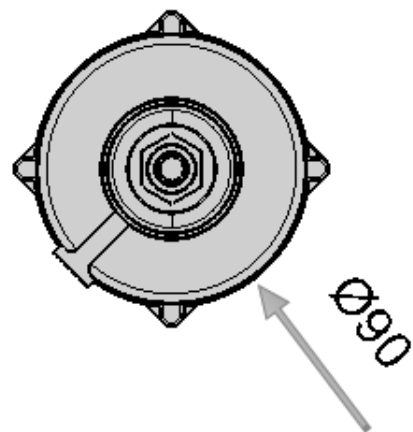
[amministrazione@parmastampi.it](mailto:amministrazione@parmastampi.it)

## VACUUM CYLINDER Ø 80

with through-going piston for vacuum packaging machines with chamber.

our code:

- Cyl. Ø 80 L. 140
- Cyl. Ø 80 L. 147
- Cyl. Ø 80 L. 160
- Cyl. Ø 80 L. 210



standard sizes available

A	B	C	D
140 mm	81 mm	59 mm	10 mm
147 mm	81 mm	66 mm	10 mm
160 mm	81 mm	79 mm	10 mm
210 mm	81 mm	129 mm	10 mm

### TECHNICAL FEATURES

<b>Connection 1</b>	R 1/8"
<b>Connection 2</b>	R 1/8"
<b>Cylinder power</b>	450 N max.
<b>Operation pressure</b>	Vacuum max. 99,9%
<b>Piston</b>	Stainless Steel 304
<b>Piston diameter</b>	80 mm.
<b>Stroke</b>	13 mm.

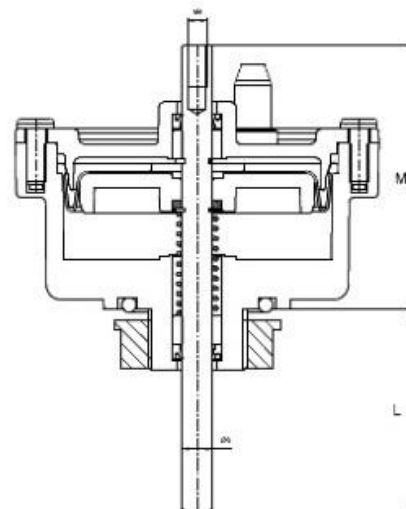
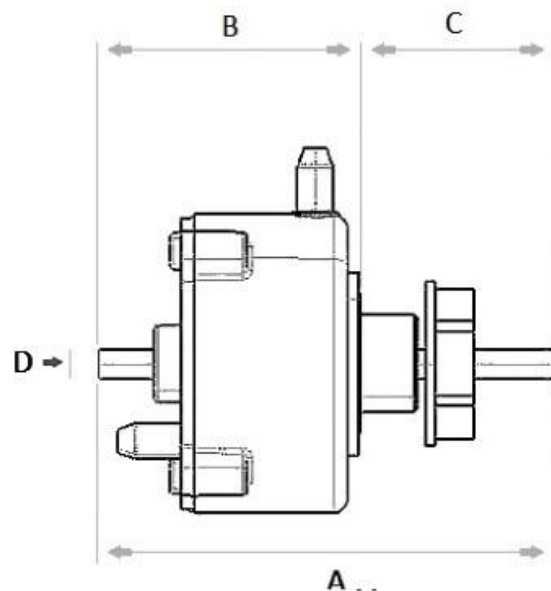
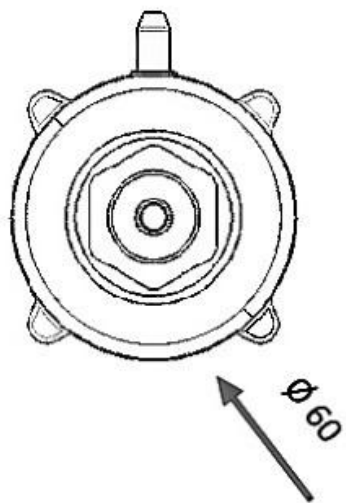
## VACUUM CYLINDER Ø 50

with through-going piston for vacuum packaging machines with chamber.

our code:

- Cyl. Ø 50 L. 94 (1)
- Cyl. Ø 50 L. 103 (1)
- Cyl. Ø 50 special L. 94 (2)
- Cyl. Ø 50 special L. 103 (2)

1.

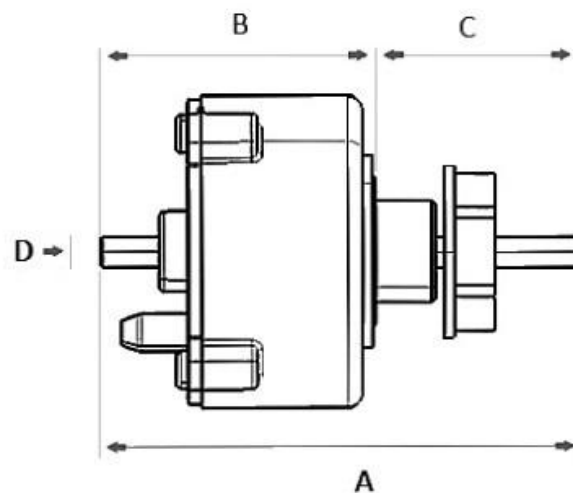
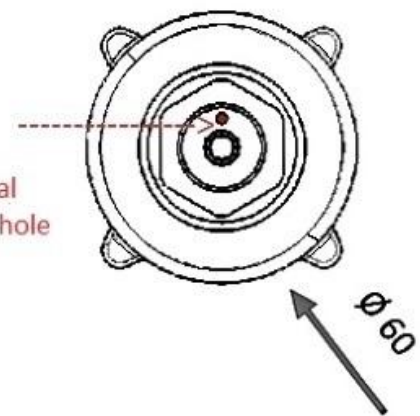


### TECHNICAL FEATURES

<b>Connection</b>	7 mm hose nozzle
<b>Cylinder power</b>	180 N max.
<b>Operation pressure</b>	Vacuum max. 99,9%
<b>Piston</b>	Stainless Steel 304
<b>Piston diameter</b>	50 mm
<b>Stroke</b>	8 mm

2.

n.b:  
Cyl. special  
with vent hole



standard sizes available

A	B	C	D
94,60 mm	53,60 mm	41,00 mm	6 mm
103,00 mm	53,60 mm	49,40 mm	6 mm





contact us ..

We will glad to answer you any further informations!

Mail:

[amministrazione@parmastampi.it](mailto:amministrazione@parmastampi.it)

Tel: (0039) 035 4829822

Fax: (0039) 035 4818238

[www.parmastampi.it](http://www.parmastampi.it) (soon on-line!)



**P.Parma S.r.l.**

Viale dell'Artigianato 11

24049 - Verdello (Bg) ITALY

C.f./P.Iva IT 03829440167

Tel. (+39) 035 4829822

Fax (+39) 035 4818238

[amministrazione@parmastampi.it](mailto:amministrazione@parmastampi.it)